

Street 5

Dr. M. H. JURON
10/14 ST Mary's Rd
B'ham 4
28/8/77/1963

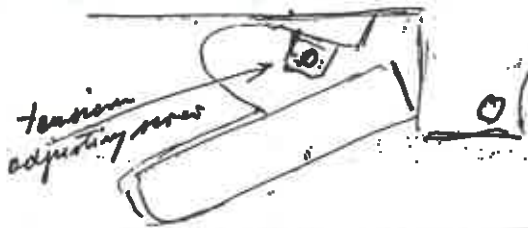
D. H. GRANT Esq
61 Meadow Drive
Perivale
Middx

Dear Sir,

I am sorry I did not send you instructions with pistol now
after; as I was a little bit unwell a hope to stay home.

Regarding not cocking there might be two reasons
one that you press trigger during pushing slide forward
or that press on top are too tight, in case they may be
slightly too long and they touch rear.

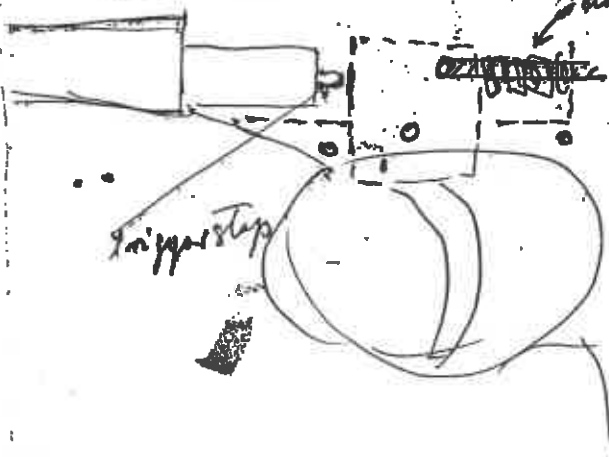
Setting of trigger pressure and rear engagement.



trigger weight is adjusted

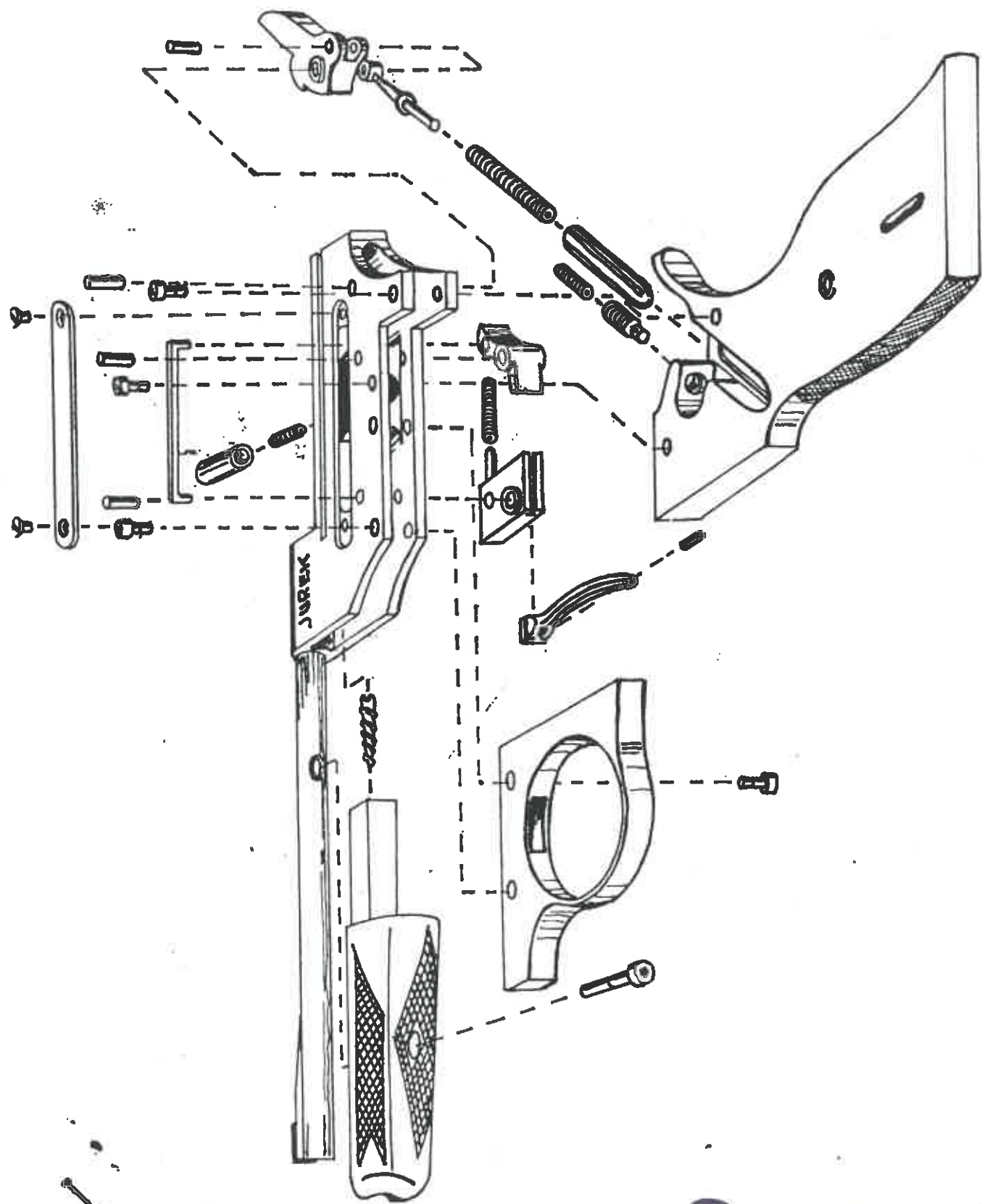
By pressing in or out screw
which holds spring, clockwise
increases trigger pressure.

antibacklash spring.



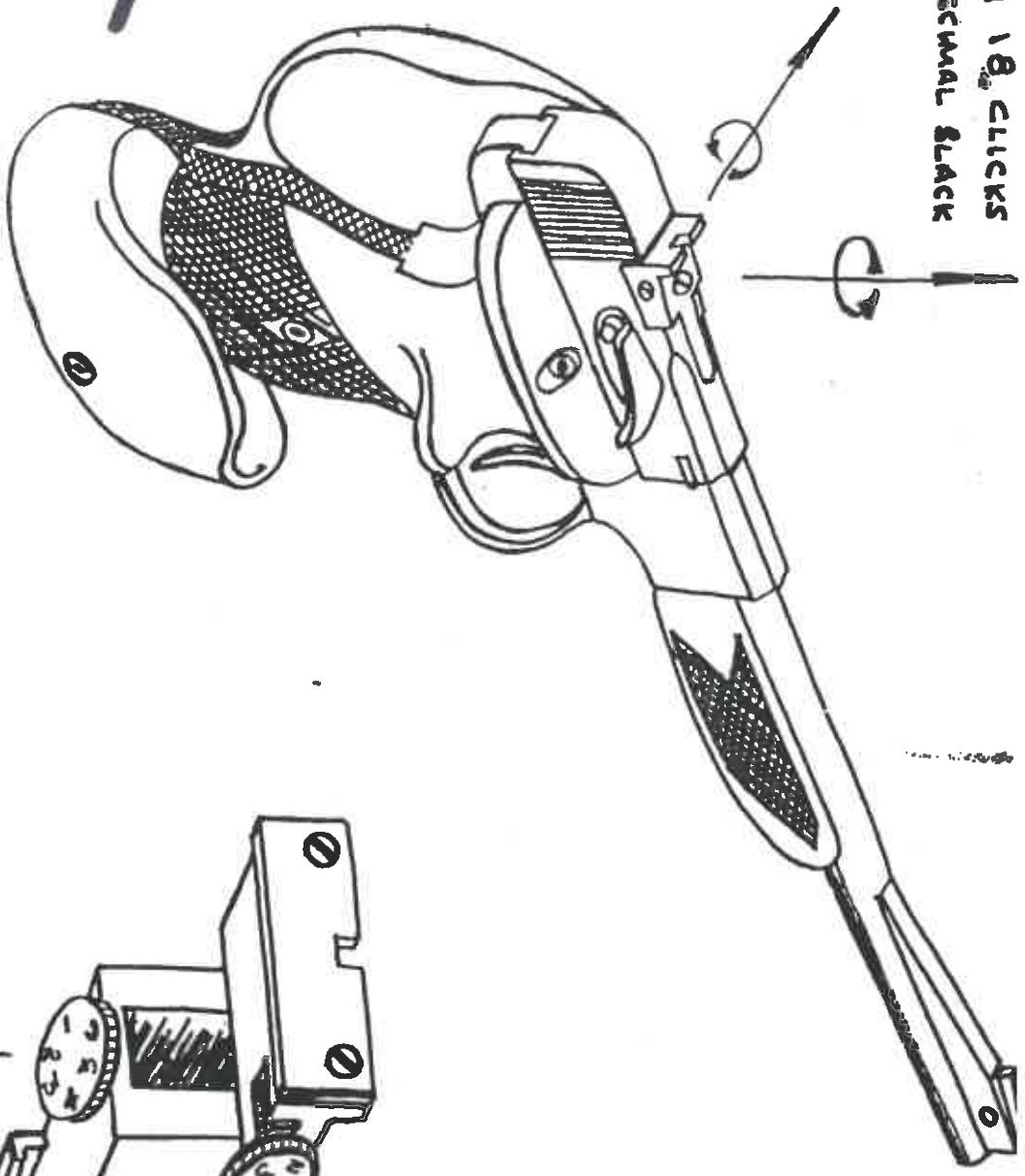
Trigger stop

on back of forend wood is
a screw which stops trigger
that one should be set for
individually. Simply undo
forend screw & remove it.
then screw in for longer drag
after action of trigger this should
be slight play after releasing, otherwise
trigger might be too heavy to release



SH 027 C

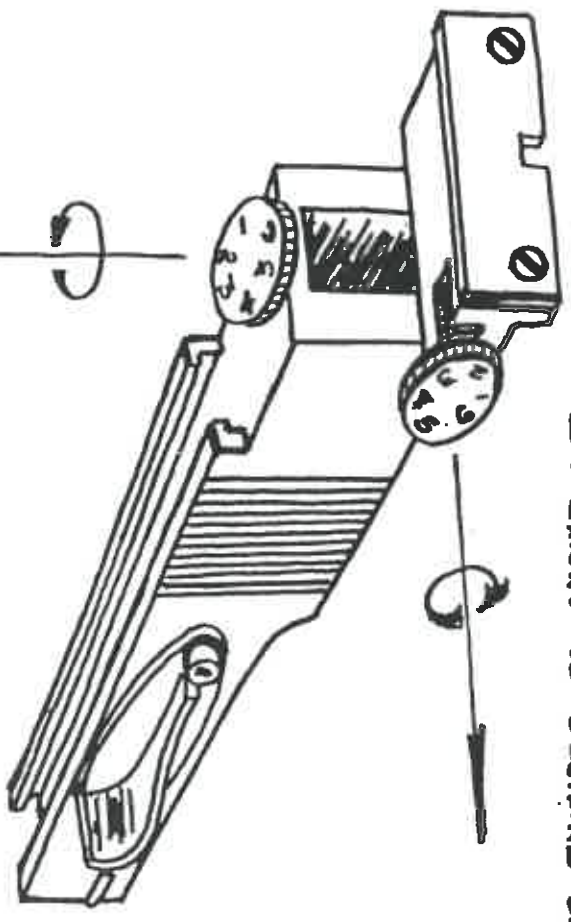
BOTH 18₀ CLICKS
TO DECIMAL SLACK



SHEET 7

SIGHT ADJUSTMENT
FOR "JURK"

COMBINATION
"FREE" STANDARD
PISTOL



24 CLICKS TO DECIMAL SLACK

20 CLICKS TO DECIMAL SLACK

SHEET 8

Gunmakers and M.O.D. component manufacturers. Contractors to Her Majesty's Government.

Helston
Gunsmiths

Water-Ma-Trout, Helston,
Cornwall TR13 0LW, England.
Tel: (01326) 573385 & 561440
Fax No: (01326) 573221 & 574747

VALUATION

Mr D W Grant
61 Medway Drive
Perival
Greenford
Middlesex UB6 8LW

Date: 8th July 1997

Our Reference: 970894/CM/VG

I have examined the following, and certify that in my opinion the value during 1996 (up to October) is as shown below:

ITEM	DESCRIPTION	VALUE (POUNDS STERLING)
1	<p>.22 Pistol by Dr M K Jurek, serial No: 61 complete with free pistol adjustable grips, set trigger unit, and extended sights system.</p> <p>Note: This pistol is hand made and hand fitted for Mr Grant. The system is unique and should be considered as an item of historic value.</p>	£850.00 - Eight Hundred and Fifty pounds only

SIGNED ON BEHALF OF HELSTON
GUNSMITHS

SIGNATURE:

PRINT NAME: