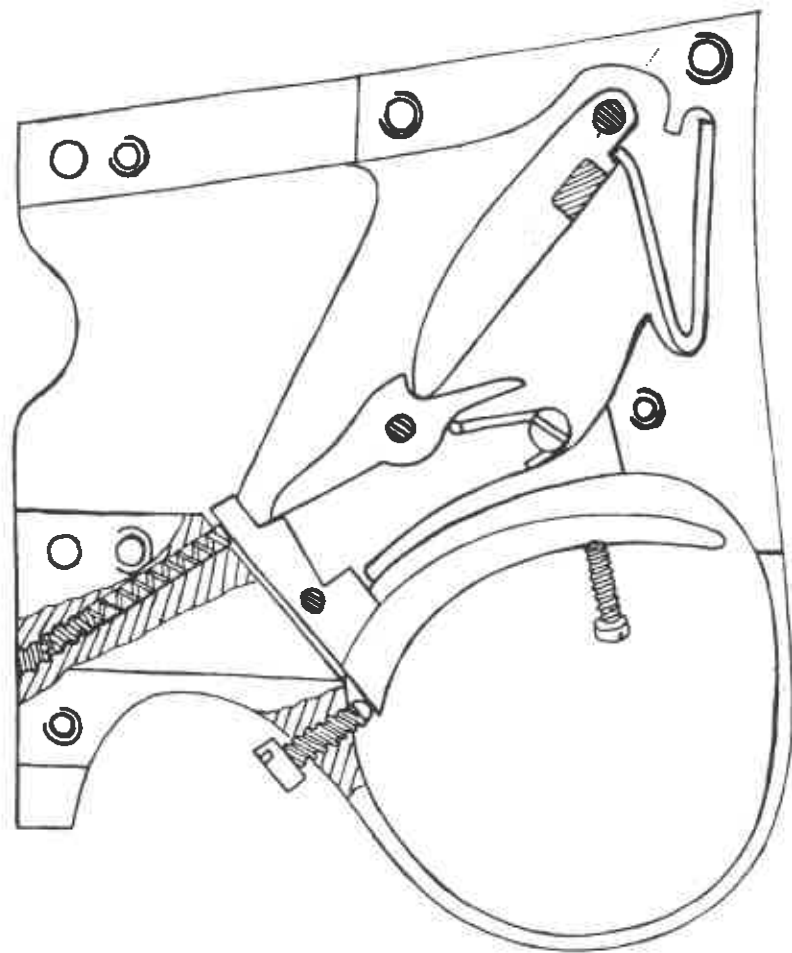
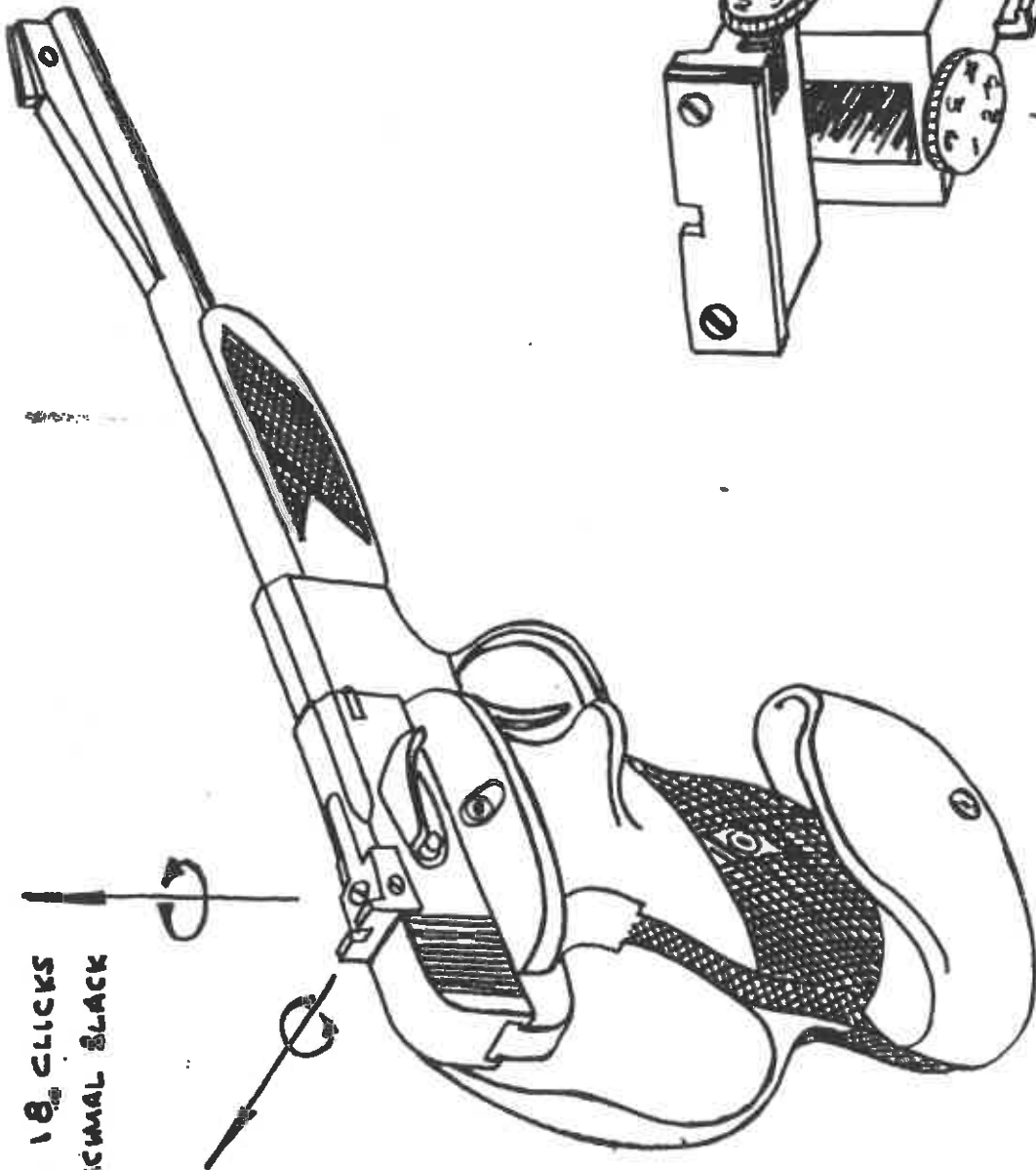


1007

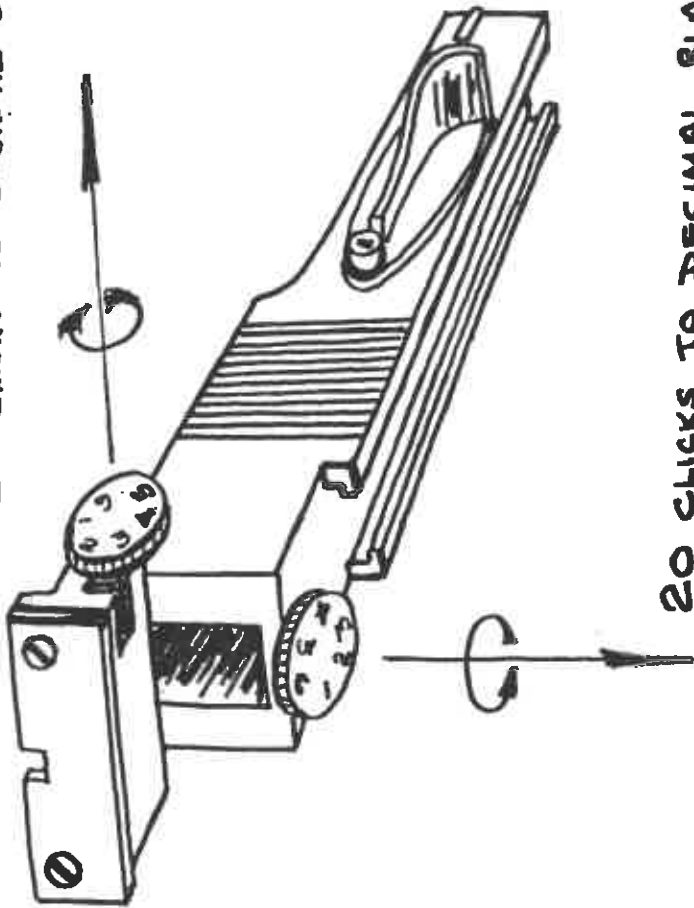


COMBINATION
"FREE - STANDARD"
PISTOL



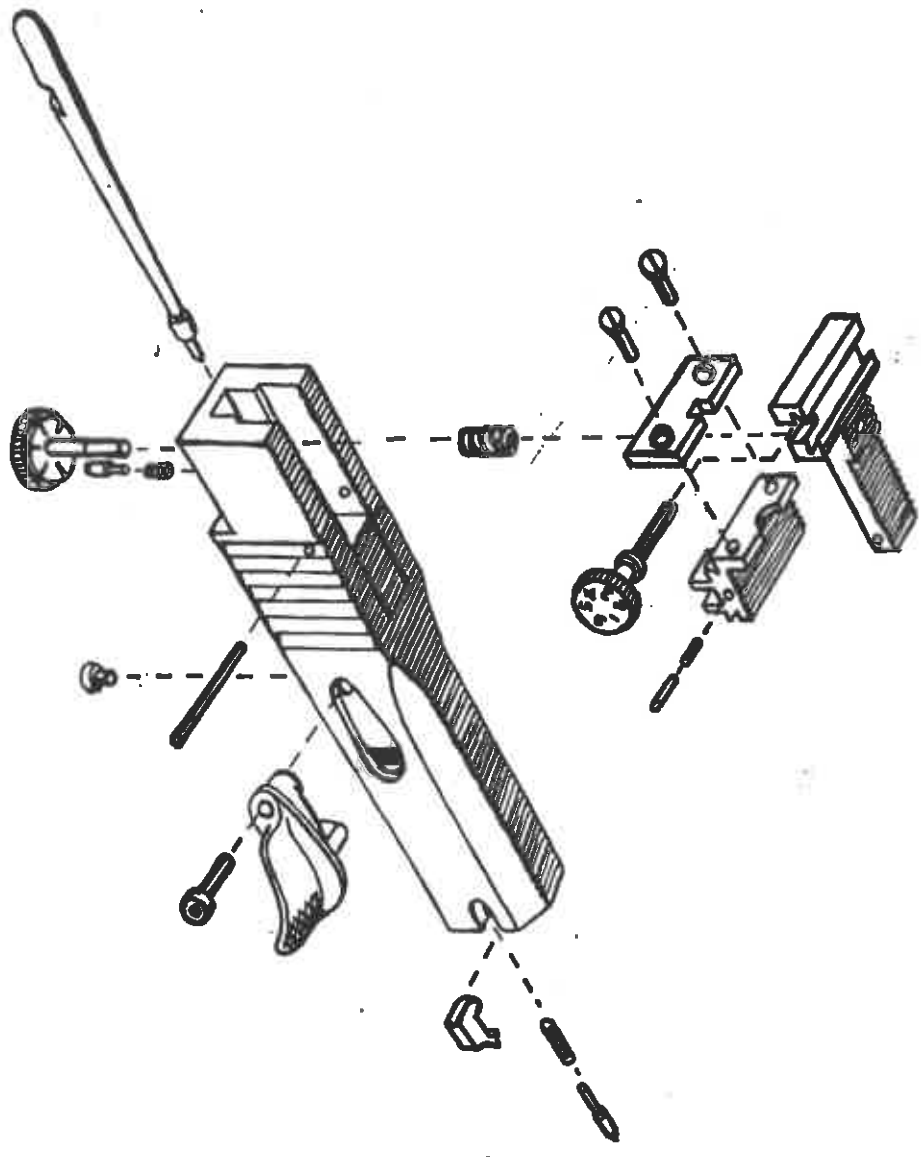
BOTH 18 CLICKS
TO DECIMAL BLACK

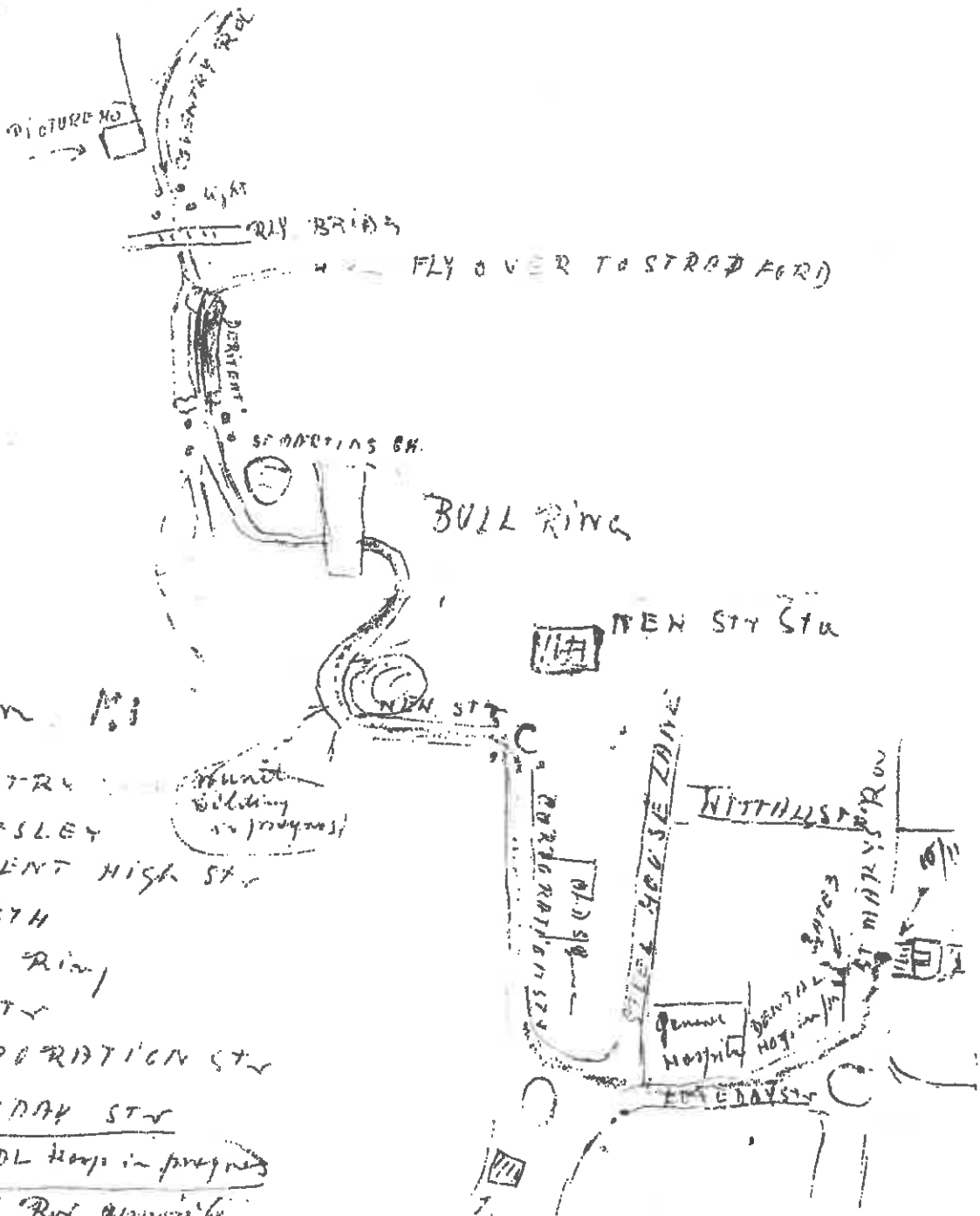
24 CLICKS TO DECIMAL BLACK



20 CLICKS TO DECIMAL BLACK

SIGHT ADJUSTMENT
FOR "JUREK"





by Cam. M. 3

- COVENTRY
- BURDESLEY
- DERWENT HIGH ST
- DIABETH
- BULL RING
- NEW STY
- CORPORATION ST
- LOVEDAY ST

DENTAL HOSPITAL in progress

St Mary's Row opposite
gate 3 (no waiting)
but you can stop to contact me.)

FIRE STIL
WITH CLOCK on ST

looked out allow now & I being imbersect, as it happen
to most pistols Hammerli, Borchert Russian that they do not
have taking now therefore users has to be fitted quite off.
If all this are not sufficient please let me know
and I shall answer all queries immediately.

I am very pleased that you like the gun and
most that you make good scores with it.

I hope that after study all things during shooting for
a period of time (gripping, squaring, and control of
all fingers and thumb (all of us have it) you
may perfect your shooting considerably.

Regarding '38 special I would recommend you
to think about it as the gun I could make would
shoot perfect but there are limited number of competition
for a single shot full bore.

Yours sincerely



W. J. Palmer

D. H. GRANT Esq
61 Meadow Drive
Perivale
Middle x

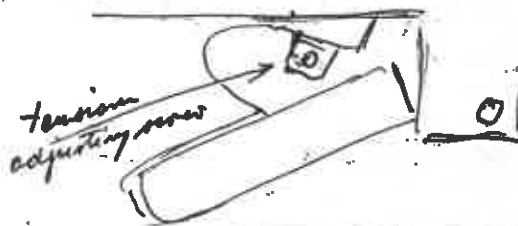
Dr. M. K. JURON
10/11 St Mary's Rd
B'ham 4
28/8/77/1963

Dear Sir,

I am sorry I did not send you instructions with pistol now
after, as I was a little bit unwell a long to stay home.

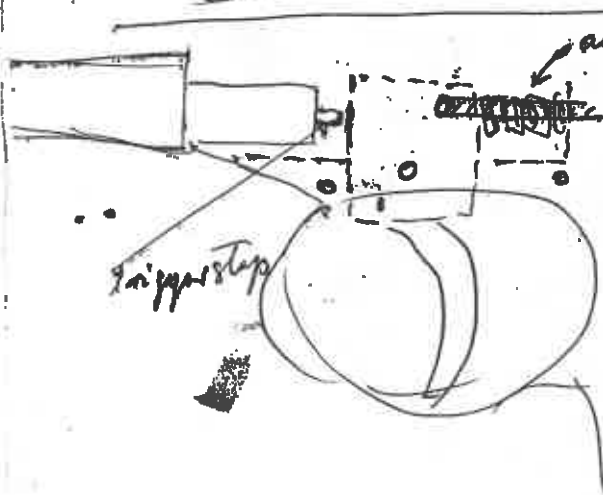
Regarding not cocking there might be two reasons
one that you press trigger during pushing slide forward
or that screw on top are too tight, in fact they may be
slightly too long and they touch rear.

Setting of trigger pressure and rear engagement.



trigger weight is adjusted

by screwing in or out screw
which holds spring, clockwise
increases trigger pressure.



on back of forward word is
a screw which stops trigger
that one should be set for
individually. Simply undo
forward screw & remove it.
then screw in for longer delay
after action of trigger this should
be slight play after setting, otherwise
trigger might be too heavy to release

Setting of trigger pressure.

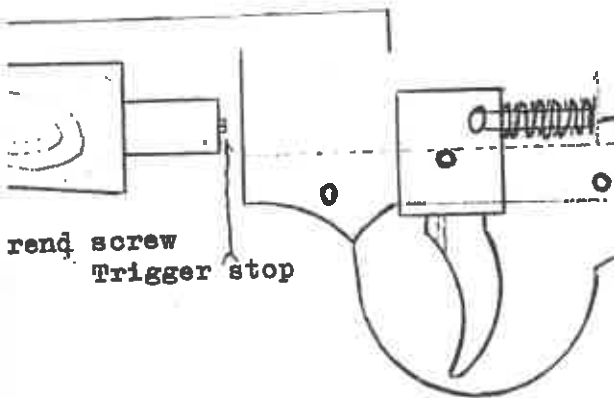
Trigger weight is adjusted by increasing on spring by screwing "x" in or out. Clockwise increases pressure and vice-versa.

Setting of trigger stop.

On the back of the wooden forend is a screw which adjusts the trigger stop after release. Undo the forend screw and remove forend. Screw the adjustment screw clockwise for longer draw and vice-versa. There must be slight play after release otherwise trigger pressure will be affected.

Anti- Backlash spring.

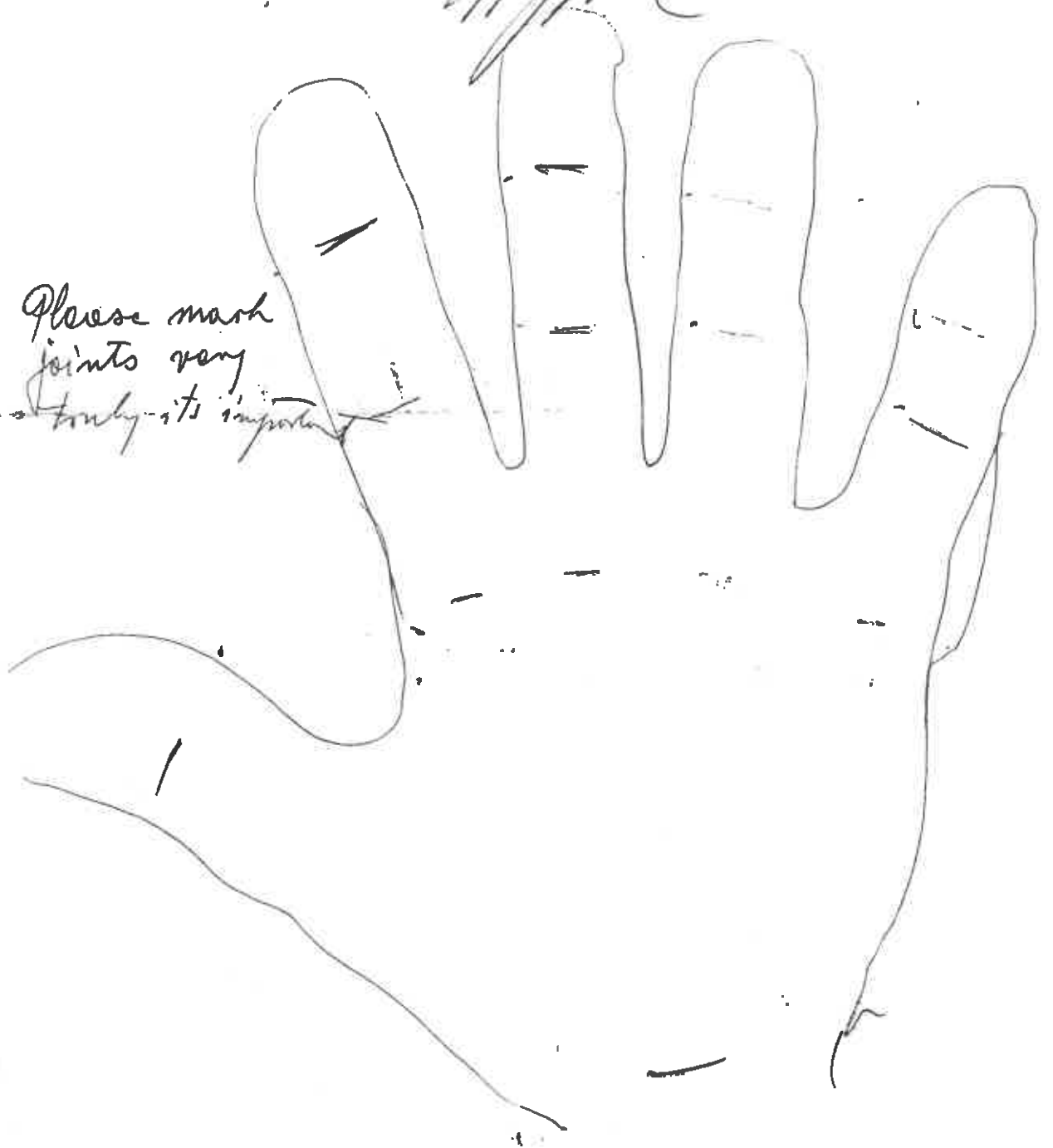
Behind the trigger coiled on a stem is an anti-backlash spring which forces trigger forward when tension spring pushes it backwards keeping connecting bar out of backlash.



I shall call upon you for F.C. trial for purchase
and remittance, and shall send you to you as
you may come and collect it if you prefer the
way yours sincerely

M.P.R.

Please mark
joints very
truly - its important



Gunmakers and M.O.D. component manufacturers. Contractors to Her Majesty's Government.

Helston Gunsmiths

Water-Ma-Trout, Helston,
Cornwall TR13 0LW, England.
Tel: (01326) 573385 & 561440
Fax No: (01326) 573221 & 574747

VALUATION

Mr D W Grant
61 Medway Drive
Perival
Greenford
Middlesex UB6 8LW

Date: 8th July 1997

Our Reference: 970894/CM/VG

I have examined the following, and certify that in my opinion the value during 1996 (up to October) is as shown below:

ITEM	DESCRIPTION	VALUE (POUNDS STERLING)
1	<p>.22 Pistol by Dr M K Jurek, serial No: 61 complete with free pistol adjustable grips, set trigger unit, and extended sights system.</p> <p>Note: This pistol is hand made and hand fitted for Mr Grant. The system is unique and should be considered as an item of historic value.</p>	£850.00 - Eight Hundred and Fifty pounds only

SIGNED ON BEHALF OF HELSTON
GUNSMITHS

SIGNATURE:

PRINT NAME: